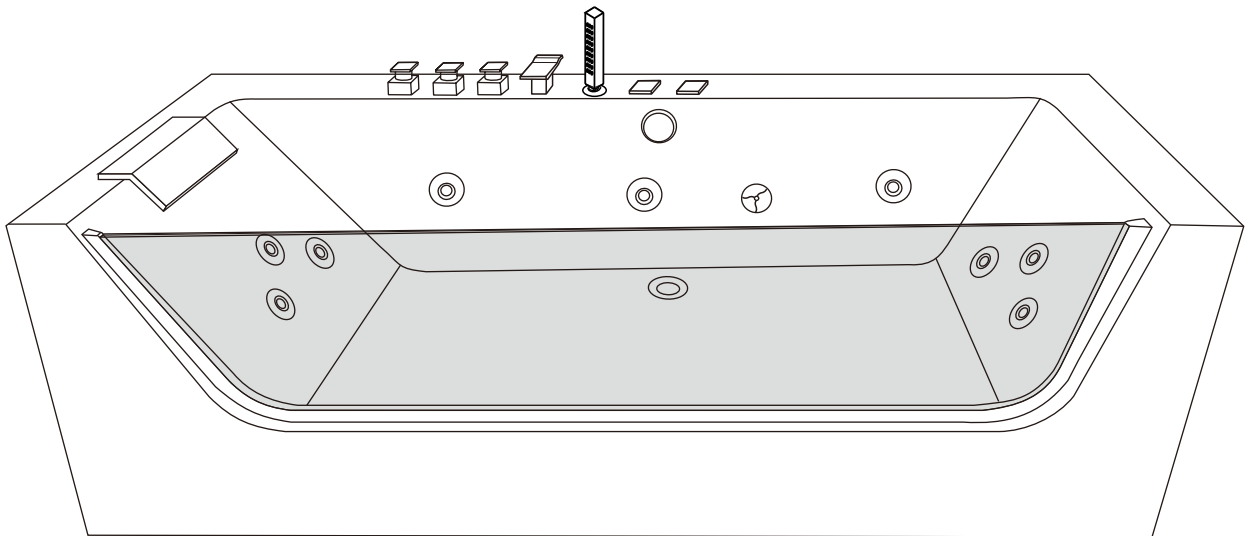


Lyfco®

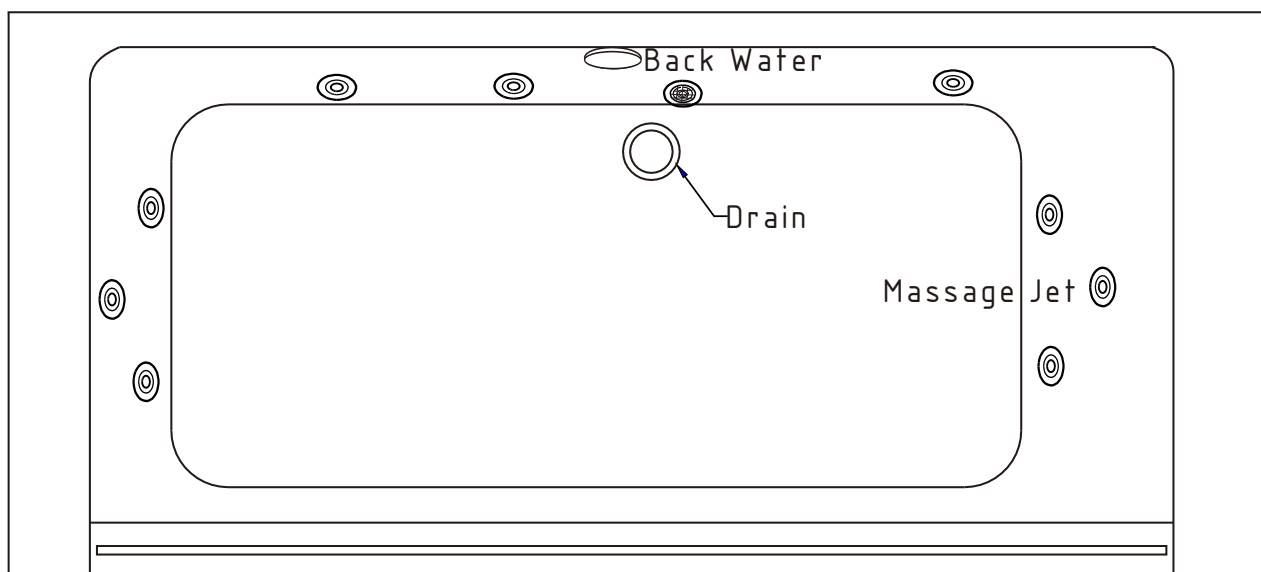
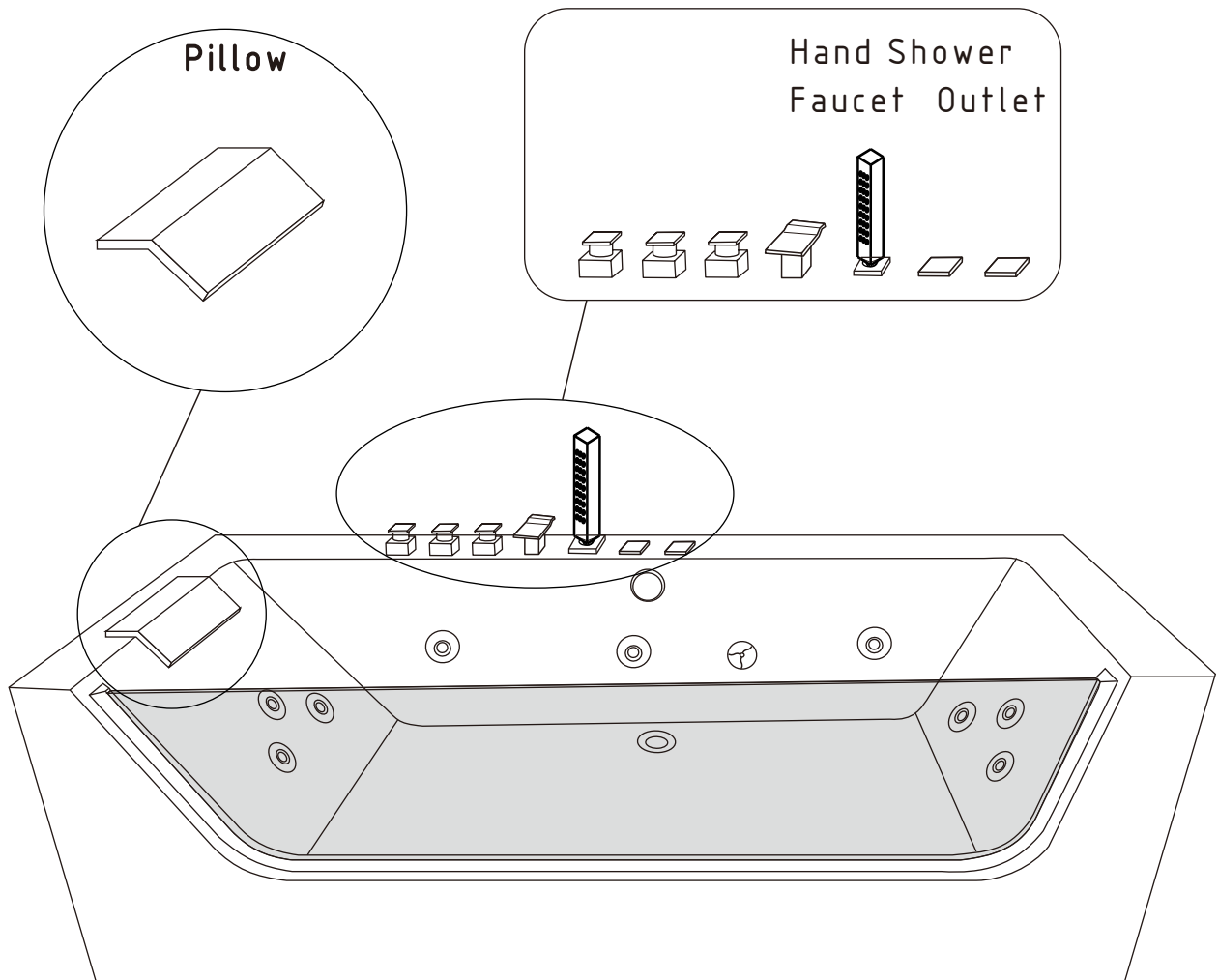
Luxury
massage bathtub



BK-019 BK-020 heater

1700x800x580 mm

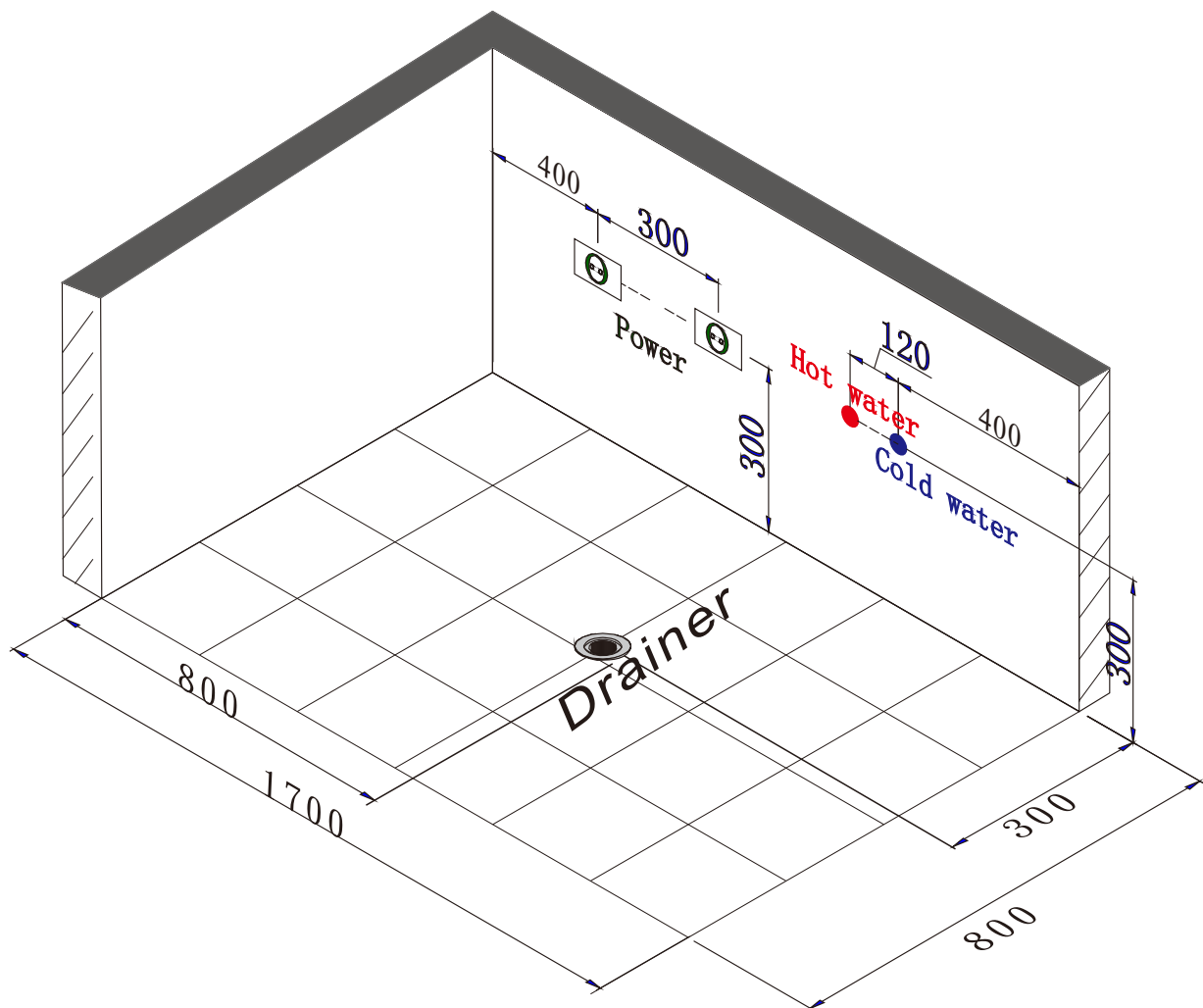
Functional Introduction *Lyfco*[®]



Water & Electricity Position Design



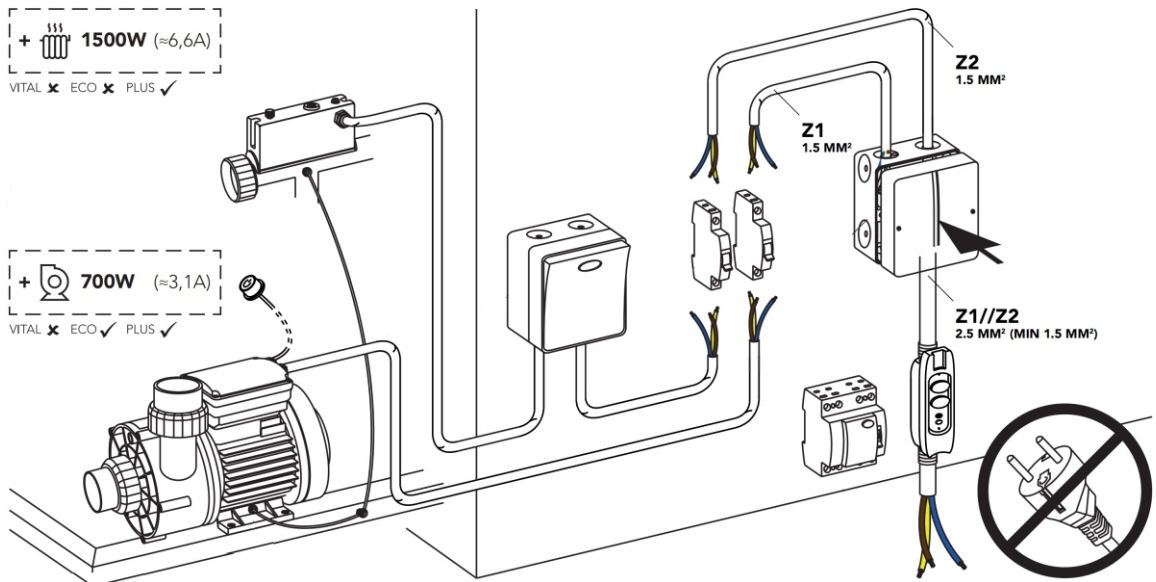
Length unit: mm



Power Request *Lyfco*[®]

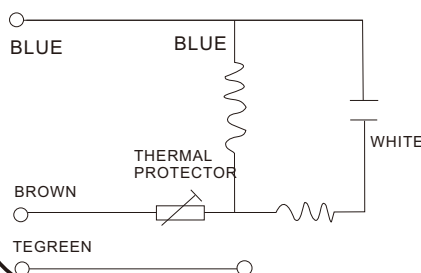
DXD HEATER

MODEL	SDP-1500 A		
VOLTAGE	220-240VAC	50/60Hz	
POWER	1.5KW	HP	2



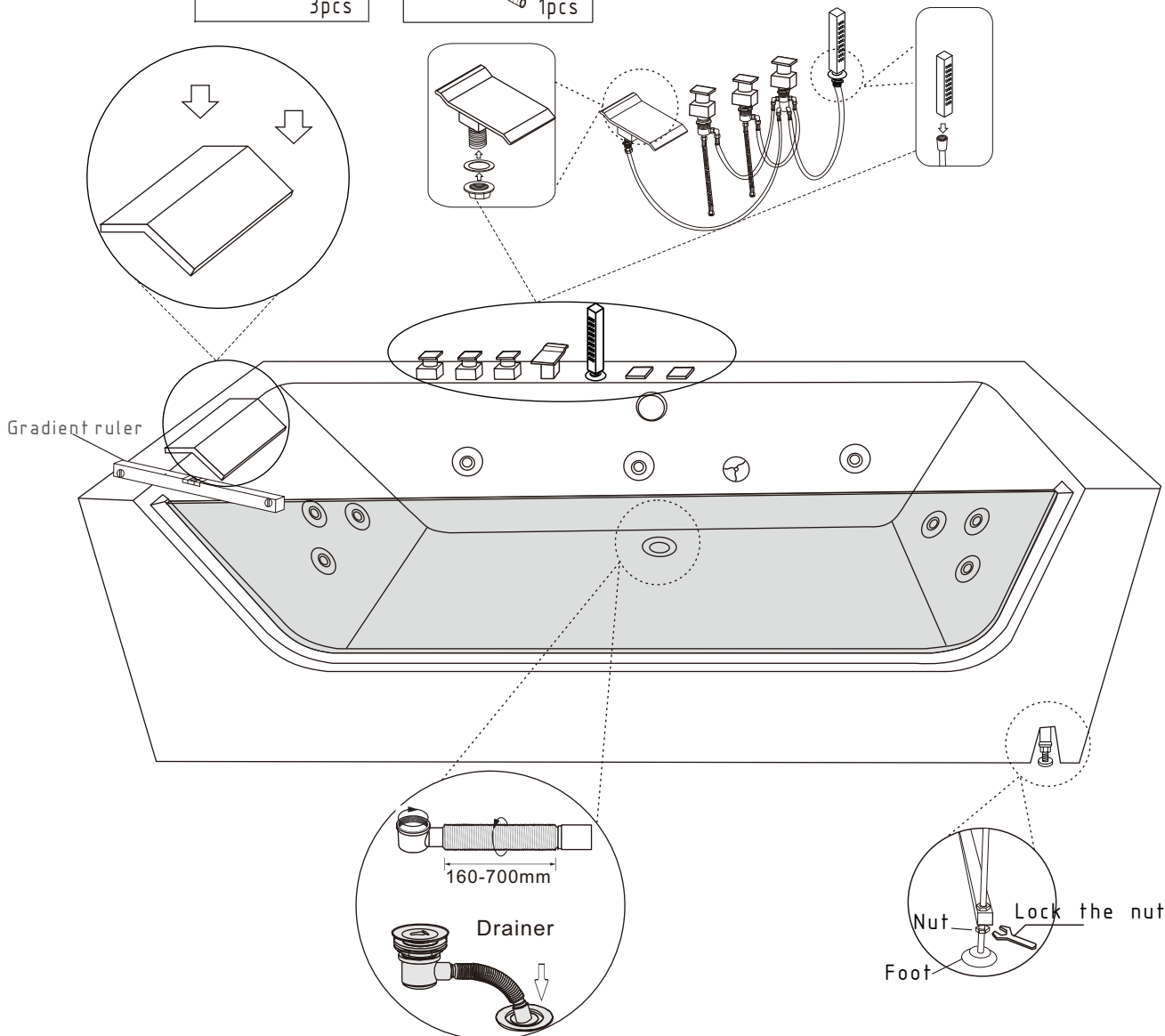
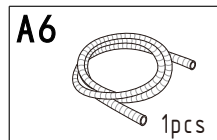
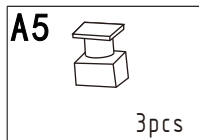
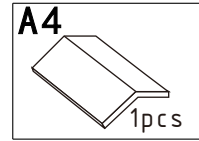
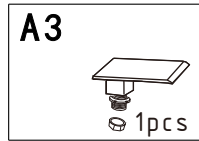
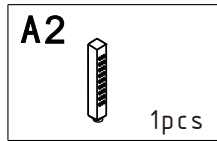
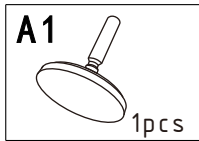
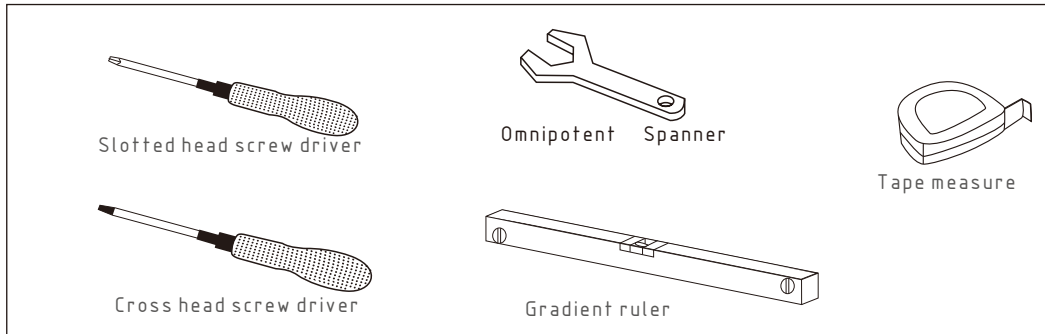
DXD PUMP

MODEL DXD-310 A AC 220-240V 50Hz 700W CLASS B IPX5
 MAX WATER TEMPERATURE 50C 15u F/450V Hmin 1m

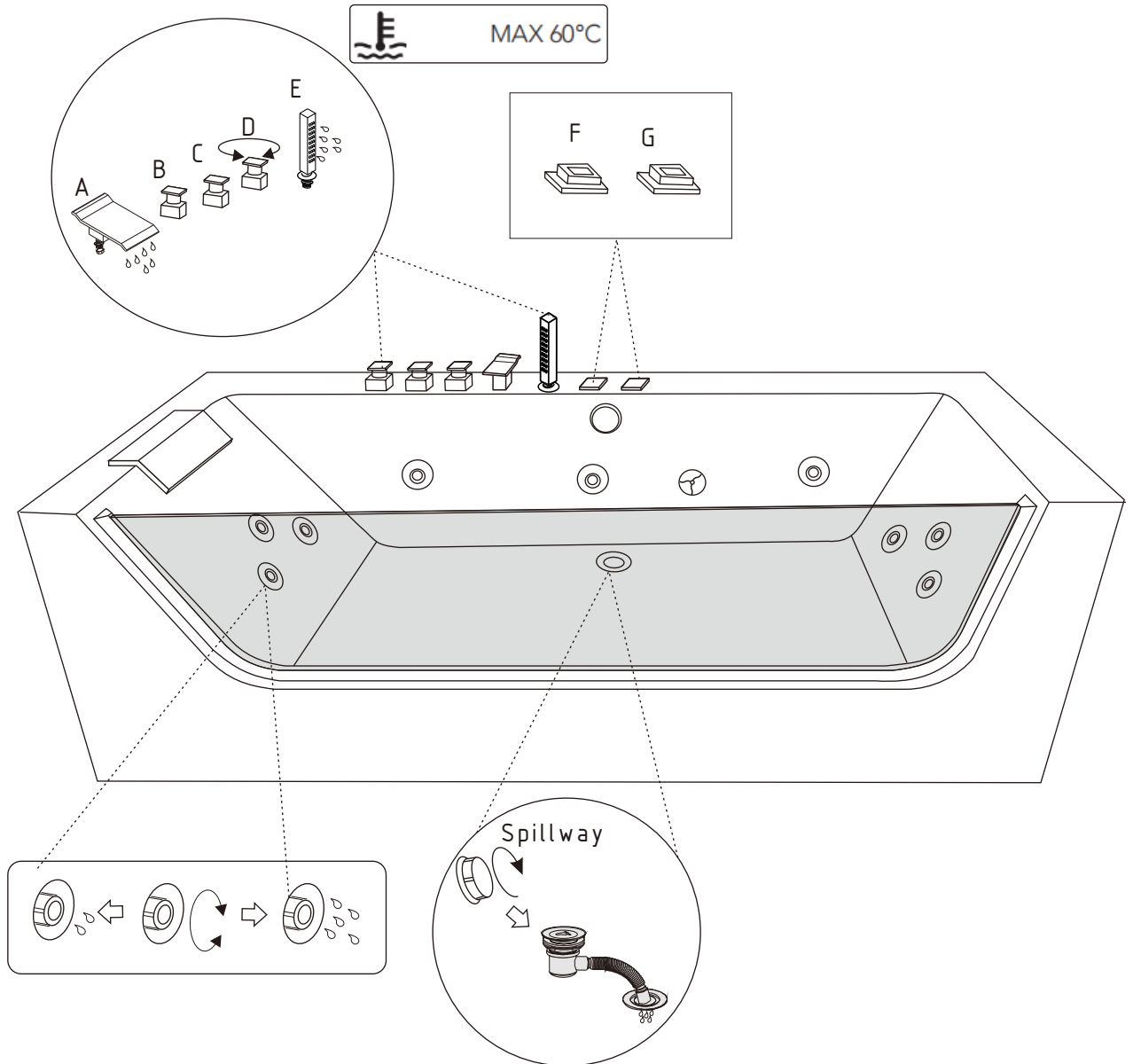


Mround properly!
 Do Not Start Pump
 Without Water!

Accessories Installation



Functional Instructions



Open F, the water pump, heater start.

Open G, the water runs faster.

Open B, cool water.

Open C, hot water.

Open D, water comes from A or E.

Warning: do not open F without water!!